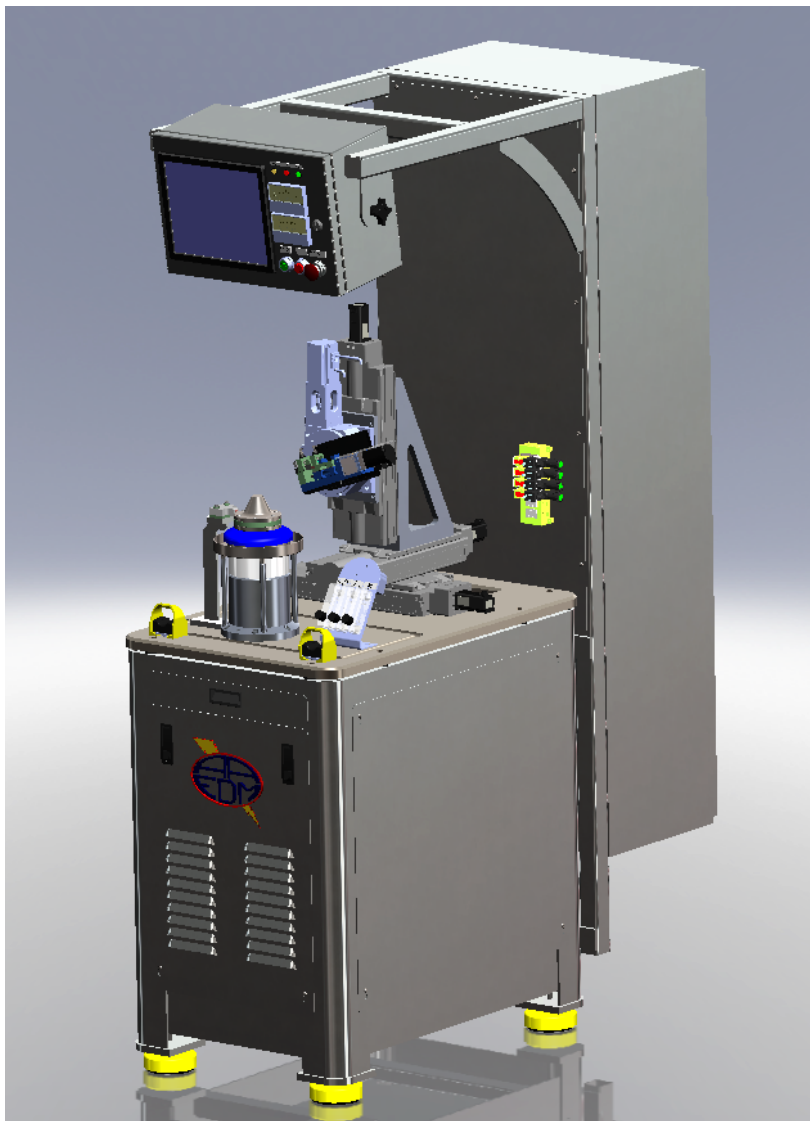




## **MF5 Micro-Flex Manual Load 5 Axis CNC**

Designed for production (Manual load) of diesel fuel injectors, fuel metering components and other parts requiring precisely placed small holes with repeatable flow characteristics, the AA EDM MF5 microhole machine features intuitive operation, easy setup and maintenance and solid construction for long life. Multiple hole sizes can be accommodated in a single pass without the need to change the machine setup with optional multi guide head. The EDM performance is monitored on every hole so that any part not meeting quality standards can be rejected. These statistics can be charted to an Excel program for downloading and printing. Options include special fixture designs around your part(s) which can be easily interchanged. Water dielectric systems are also available. If you need precision holes in a reliable, simple to use machine with a small footprint look no further than the AA EDM MF5 series of Manual EDM Machines.

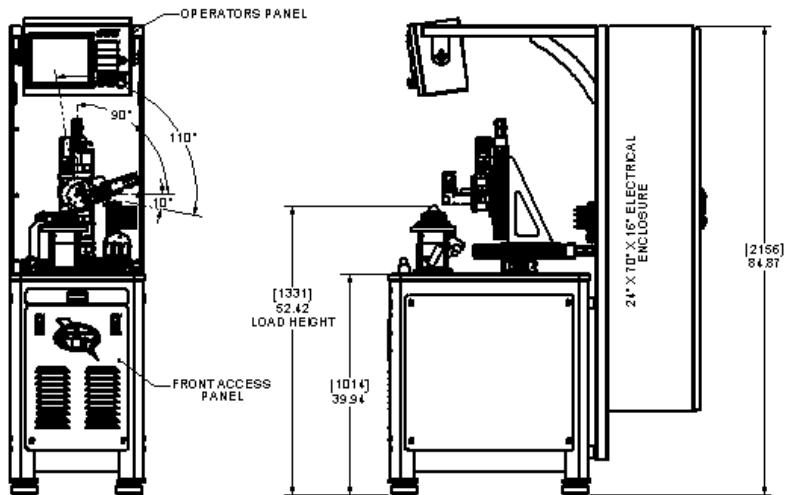
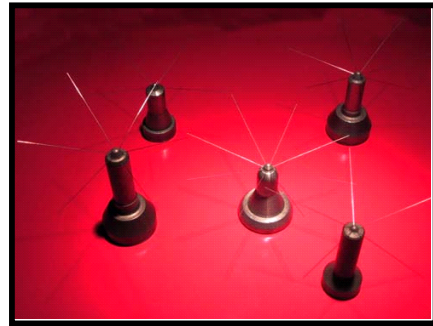
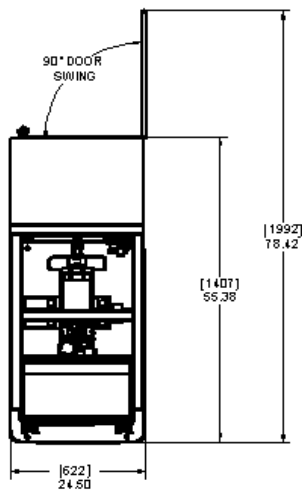
The "spark" of innovation.



# **mf5**

FEATURES	DIMENSIONS
X Axis Travel	4" / 100 mm
Y Axis Travel	4" / 100 mm
Z Axis Travel	4" / 100 mm
W Axis Travel	1" / 25 mm
B Axis Head Tilt	110°
C Axis Rotary Table	360°
Machine Height	1864 mm
Machine Weight	800 lbs / 363 kg
Electrode Diameter	0.003 - .014" / 100 - 400 μm
Electrode Material	Any
Dielectric Fluid	Water
Power Requirement	1.5 KVA
Power Supply	AAEDM MicroholeGenerator

NOTE: Information subject to change.



ISO 9001-2000 Certified

AAEDM Corporation  
 140 North Staebler Road  
 Ann Arbor MI 48103  
 PH: 734-222-4847  
 FX: 734-222-4863  
[sales@aaedmcorp.com](mailto:sales@aaedmcorp.com)